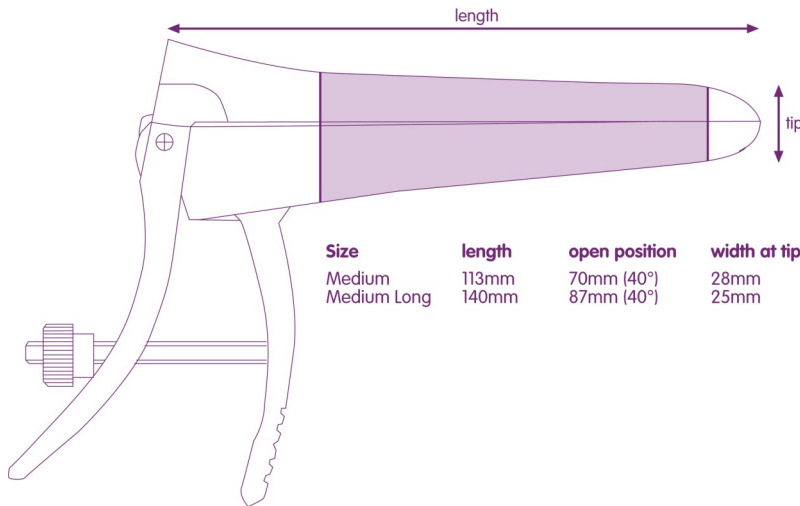


PELIspec Pro-Wall Vaginal Speculum



Size	length	open position	width at tip
Medium	113mm	70mm (40°)	28mm
Medium Long	140mm	87mm (40°)	25mm

Measurements per pack of 10:

Medium Size: Weight 0.69kg. Dimensions: 25cm Width, 30cm Height, 18cm Depth.

Med Long Size: Weight 0.72kg. Dimensions: 25cm Width, 30cm Height, 18cm Depth.

Materials:

Body/Nut - Polystyrene
 Runner - Diakon
 Sheath— Polyisoprene
 (BPA free)

Peel Pouch:

A clean peelable pouch system, comprising one web of medical grade paper combined with a second web of polyethylene laminated sealing face.

Suitable for sterilisation by Ethylene Oxide (ETO).

Seal strength: Minimum seal strength of 2N/15mm.

Safety Data:

There are no components presenting significant hazards or requiring specific personal protection or first aid measures.

All clinical waste should be disposed of in accordance with Local Health Authority and Department of Health guidelines.

Active Life Storage:- 5 years after manufacture. There is no specific safety recommendation for handling. Storage should be in the original packaging in a cool dry place.

The product should only be used by trained medical staff for examination in a clean environment.

A UK manufacturer - committed to quality, service, trust, innovation and value

Pelican Feminine Healthcare Ltd
 Cardiff Business Park, Cardiff. CF14 5WF
 Freephone: 0800 013 1220 Fax: 029 2074 7757
 contactus@pelicanfh.co.uk
 www.pelicanfh.co.uk

A British Company - Thank you for your support



STERILE EO LATEX FREE